

# Product Information



Oxidation using ozone and activated oxygen ions is used to treat odour emissions from commercial and industrial kitchen processes (**DEFRA, 2005: Guidance on the Control of Odour and Noise from Commercial Kitchen Exhaust Systems**). The CK Direct Xtract injects ozone into the kitchen extraction canopy where it reacts with odours, grease and smoke. These are oxidized in a chemical reaction which results in the production of carbon dioxide and water vapour. The ozone itself is consumed during the process and is converted back into oxygen.

## Compact and Lightweight

The unit has been designed to be compact (343mm(L)X185mm(W)X307mm(H)) and lightweight (<12kg) so that it can be installed in kitchen areas where space is at a premium and / or where there is little load bearing capacity.

## Installation

The unit has been designed to attach to the wall adjacent to the kitchen canopy. The outlet is then connected into the kitchen canopy and the unit is plugged in or hardwired into mains electricity (230V / single phase / 50Hz). Full installation instructions are provided.

## Silent Operation

The unit sits outside of the kitchen extraction canopy and ozone is drawn into the kitchen canopy by the existing fans. There is no need to upgrade the existing fan and the unit operates silently.

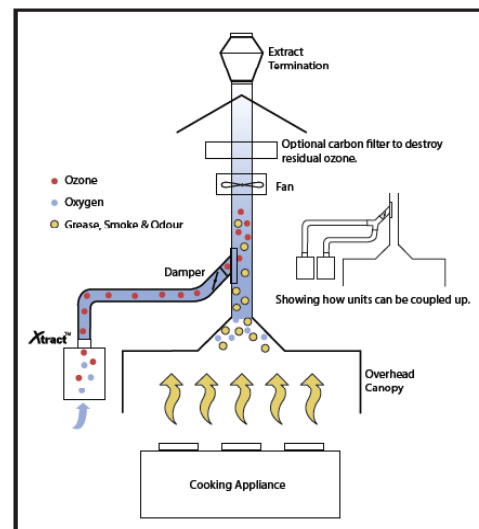
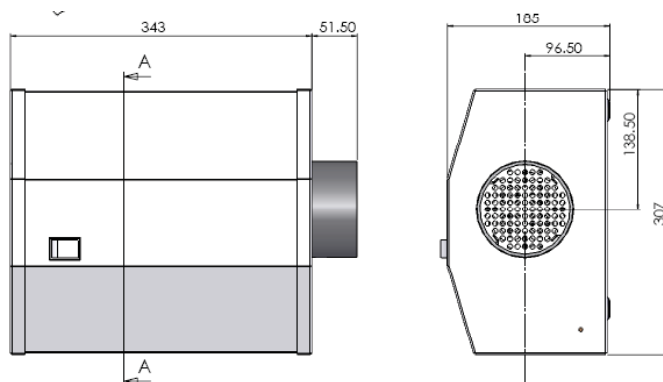
## Servicing

CK Direct recommends a yearly service to ensure efficient operation, and can offer a planned maintenance contract.

## Additional Options

A fan can be fitted in the unlikely event that the kitchen extraction fan can not draw air through the unit.

A site survey option is available, as is a planned maintenance contract.



CK Direct is continuously improving its products and services and reserves the right to alter designs without prior notice.

# CKDirect

Ventilation & Extraction Solutions

Tel: 0808 1780001 Fax: 01733 569433  
e-mail: [info@ckdirect.co.uk](mailto:info@ckdirect.co.uk) [www.ckdirect.co.uk](http://www.ckdirect.co.uk)