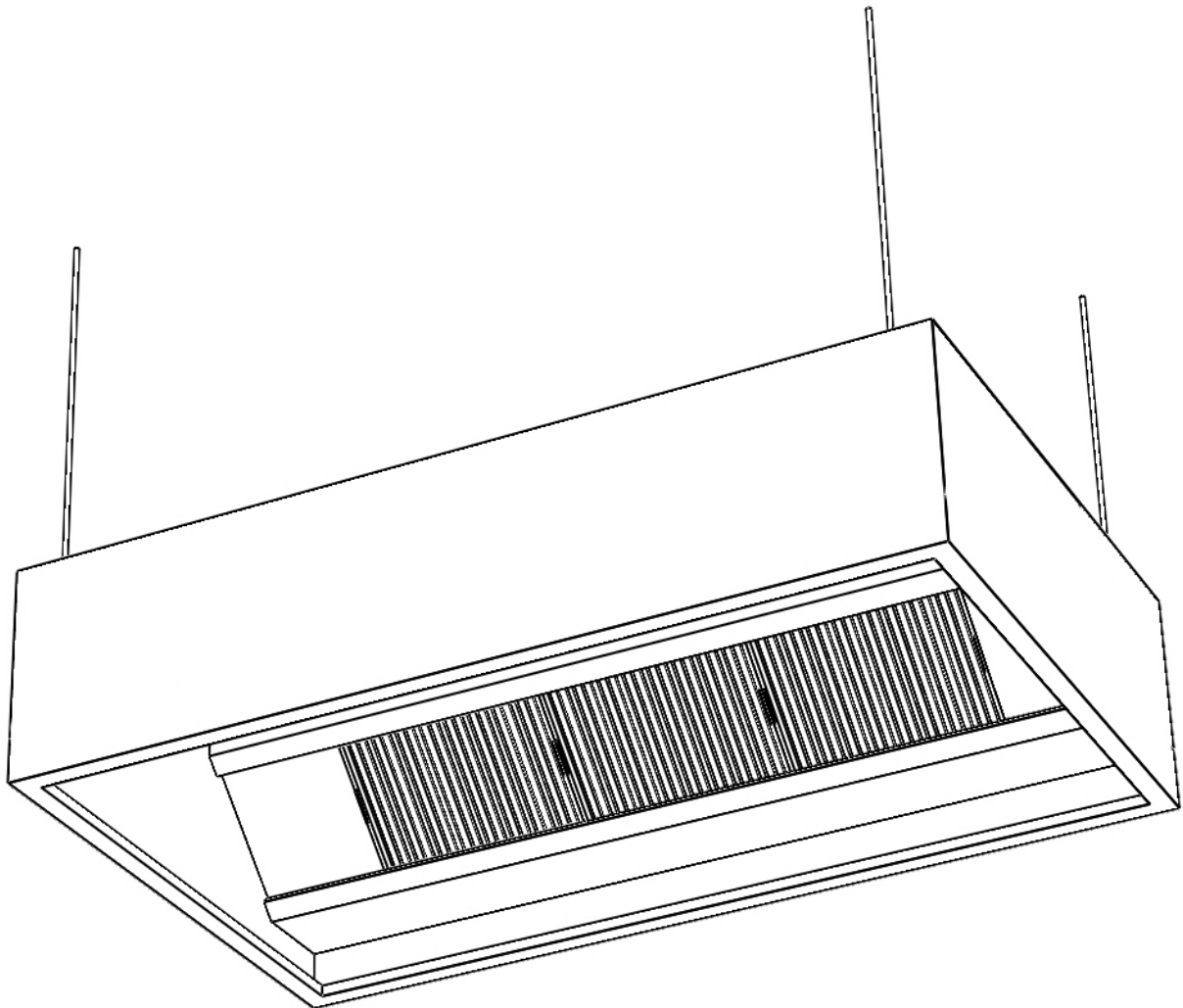


Canopy Installation manual



Contents Page

Important Notice	3
CK Direct Installation Guidelines	4
Recommended Personal Protective Equipment (PPE)	5
Required Tools, Fasteners & Finishing Items	6
Typical Canopy Details	8
Methods of Fixing Into a Soffit	9
Methods of Fixing Into a Wall	10
Canopy Installation Procedures	11
Wall Mounted Canopy Detail	13
V-Bank Main Island Canopy Detail	14

Important notice

To avoid the risk of accidents and damage to the kitchen canopy, please read this manual carefully before installation.

- The canopy must be installed in accordance with these installation instructions.
- Any installation work must be carried out by a qualified or competent person.
- This manual contains important information on conditions and the safety procedures that need to be followed.

Installation requirements:

- Before installation, check the wall & soffit to which the canopy is to be fitted for electric cables, gas and water pipes.
- A safe method of access to the fixing points must be gained by the use of previously identified suitable access equipment.

Installation engineers:

- In most cases a minimum of two skilled site engineers will be required.
- The installation engineers should be fully trained in all relevant tools & equipment required to successfully install the canopy.

CK Direct Installation Guidelines

Please note these guidelines must be taken into consideration before & during the installation of CK direct products.

- It is strongly recommended that a full risk assessment is carried out before any assembly or installation work commences on site. This can be done prior to the installation team's arrival.

- A safe access route must be established into the building area. This is to be free from obstructions such as rubble, scaffolding, building materials etc.

- A suitable offloading point must be identified before the day of installation and should be as close to the recommended building access as possible.

- Ideally no other trades will be operating in the area where the canopy is being installed, however if circumstances mean this is not achievable then a safe working distance must be agreed with the other trades.

- The installation team must have a clear, flat working area within the perimeter of the working location. Any existing equipment must be removed prior to the installation date unless otherwise agreed by the customer.

- The installation team is to identify the Electrical supply and in some cases provide suitable lighting, if none is available on site.

Recommended Personal Protective Equipment (PPE)

PPE is defined in the Personal Protective Equipment at Work Regulations as:

‘All equipment (including clothing affording protection against the weather) which is intended to be worn or held by a person at work which protects them against one or more risks to their health and safety’.

PPE must always be regarded as a ‘last resort’ to protect against risks to safety and health. Engineering controls and safe systems of work must always be considered first.

- The need for PPE must be identified through Risk Assessment.

An effective system of maintenance of PPE is essential to make sure the equipment continues to provide the degree of protection for which it is designed. Therefore, the manufacturer’s maintenance schedule (including recommended replacement periods and shelf lives) must always be followed.

Below is a list of the minimum items of PPE that should be worn when installing CK Direct canopies:

Site safety hard hat

Safety footwear with steel toe caps

High visibility vest

Kevlar Gloves

Safety spectacles

Vented dust masks

Ear Defenders (If working in a noisy environment)

Required Tools, Fasteners & Finishing Items:

Tools required:

- 10 mm spanners
- 11" 'C' clamps
- Grinder / cutter
- 12 mm drill bits
- 17 mm spanners
- 3.3 mm drill bits
- 6 & 8 & 10 mm drill bit
- 7" mole grips
- Adjustable stands
- Black marker pen
- Cutting discs
- Hack saw
- Plum line
- Rivet pliers
- SDS hammer drill
- Set of metric Allen keys
- Silicone gun
- Spirit level
- Tape measure
- Timber blocks / wedges for stands

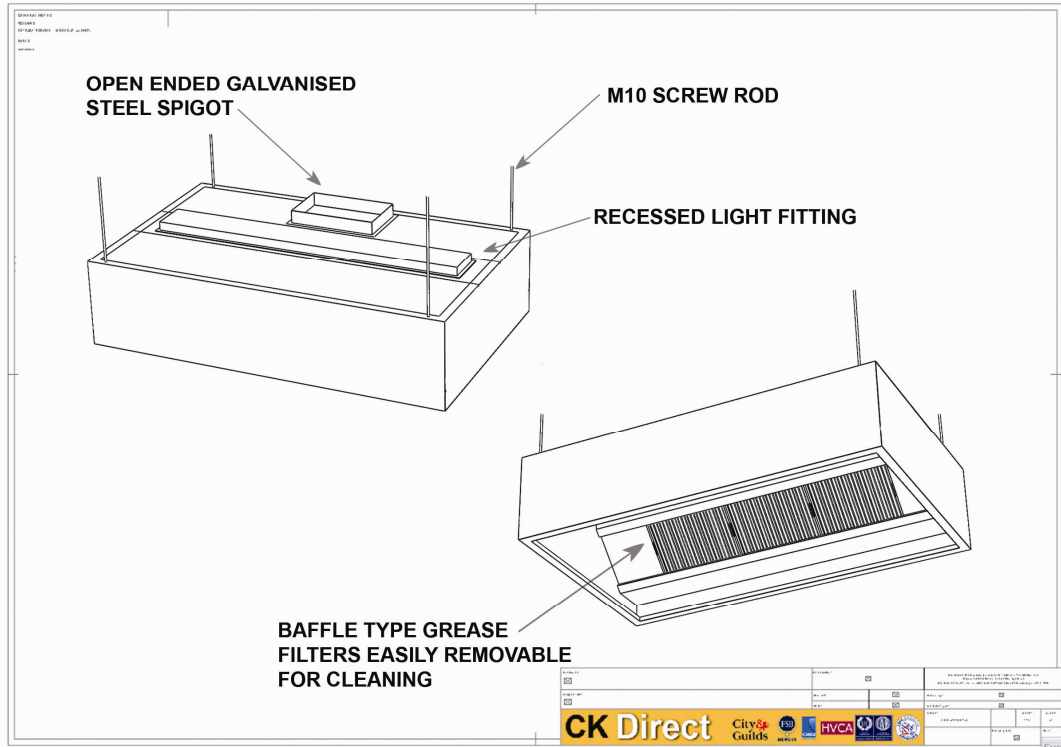
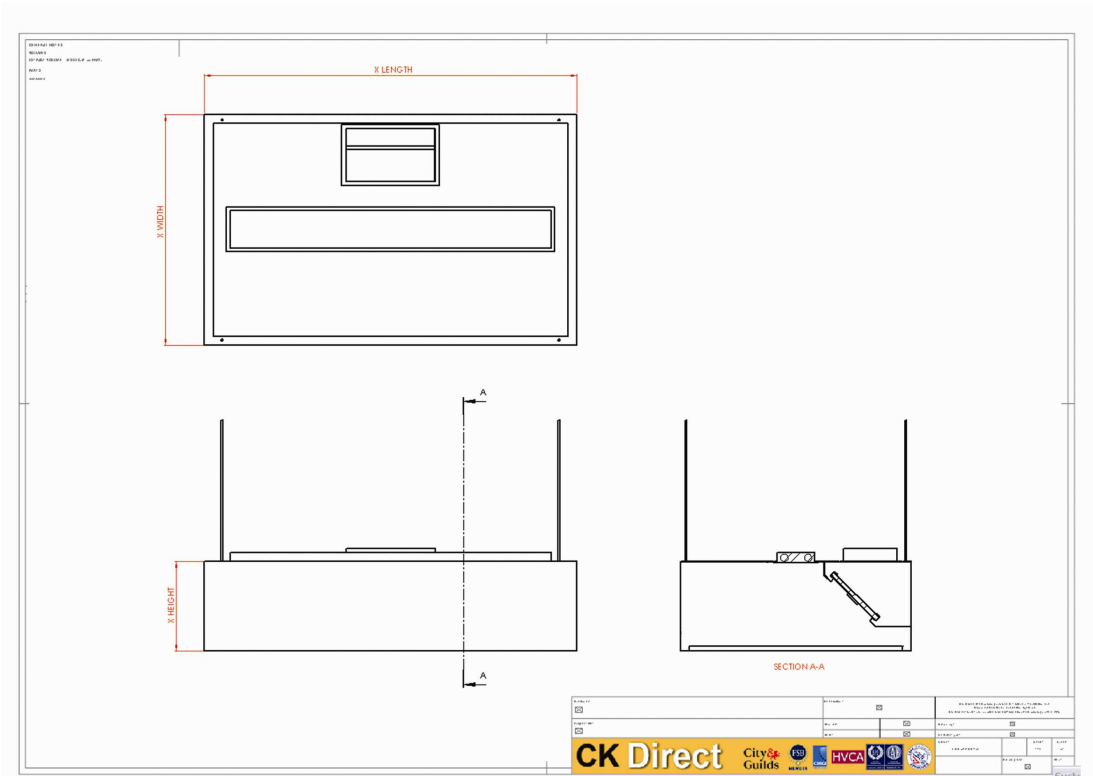
Other items that may be required depending on site conditions:

- 110v Site lighting
- 14V Rod cutter
- Battery Powered Grinder
- Battery Powered Hammer drills
- Battery Powered Hand drills
- Battery Powered Jigsaw
- Hydraulic lifts
- Jack stands
- Mobile tower scaffold
- Podium steps
- Stairs Climber if required
- Wall Props

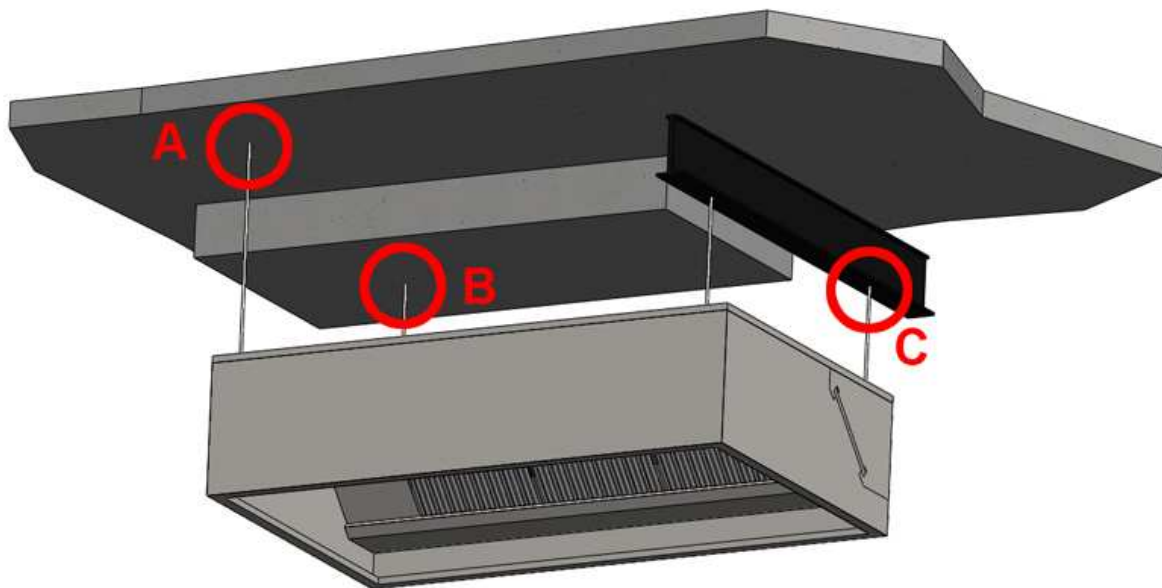
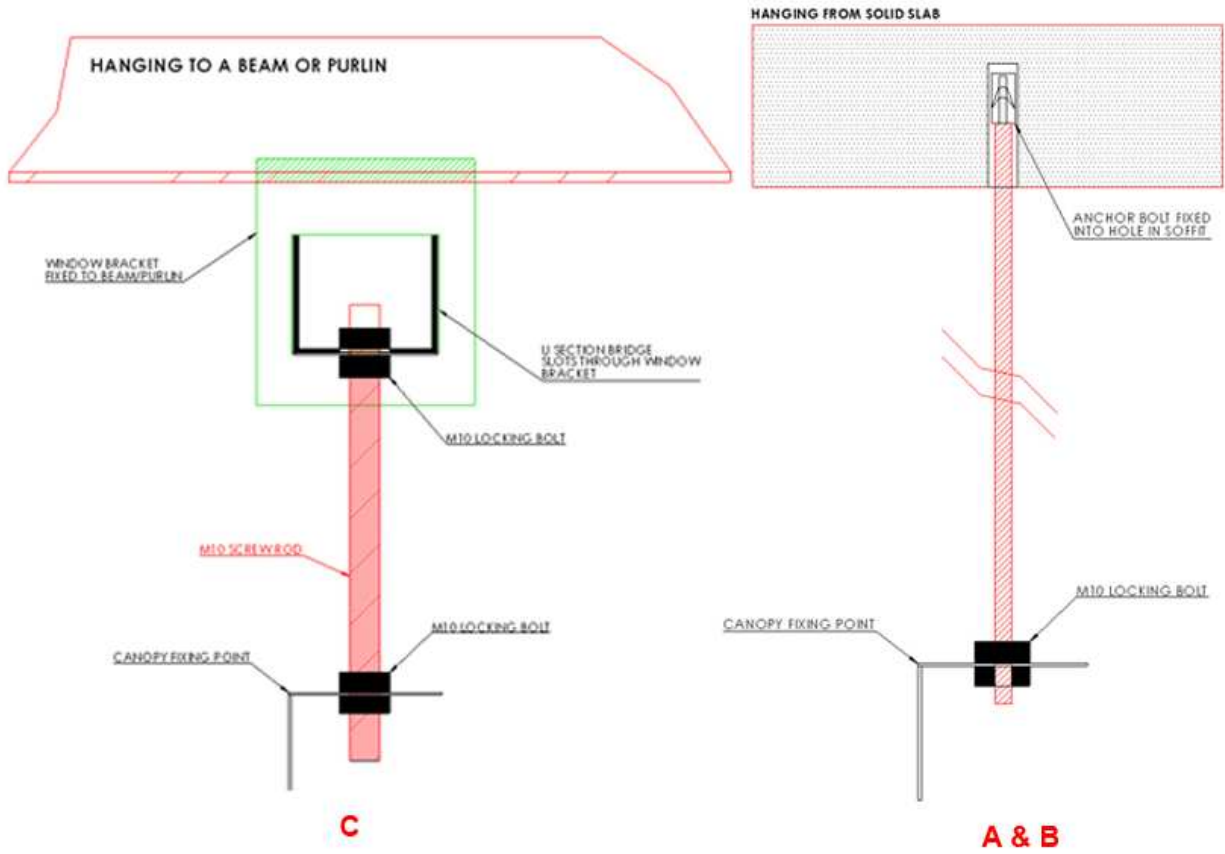
Fasteners & Finishing Items:

Anchor Bolt/Expanding wedge anchor
Suitable wall mounted fixings
M10 Screw Rod
3.2 x 12mm counter sunk rivets (May not be required)
3.2 x 12mm rivets
3.2 x 6mm rivets
6mm bolts
6mm nuts
M6 x 35 stainless button head socket screws
Silicone sealant
'U' section channel
Bridging fixings
Mechanical fixing accessories

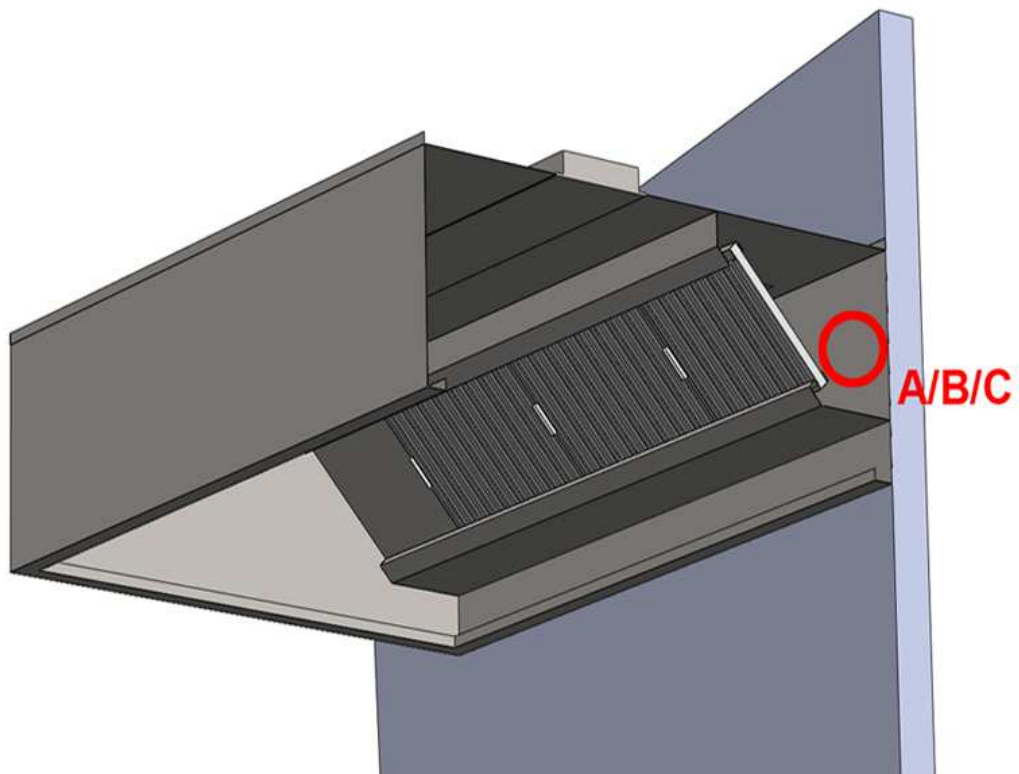
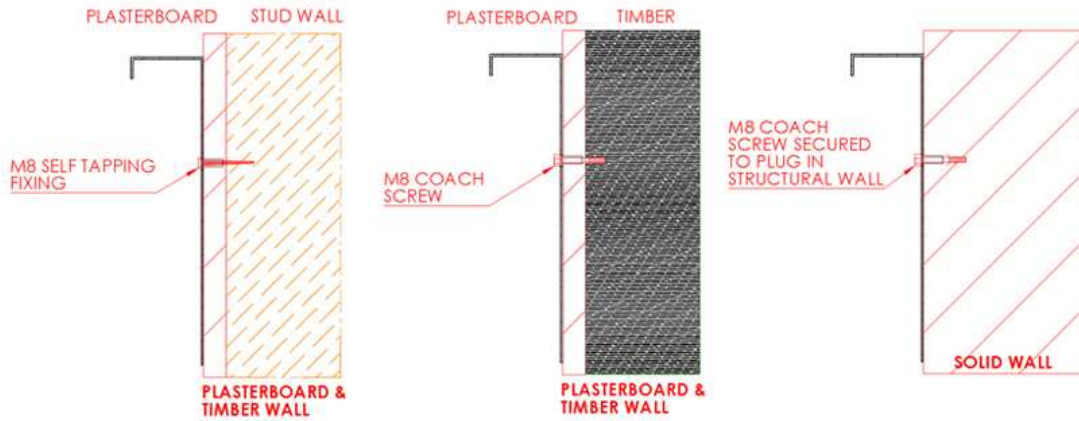
Typical Canopy Details



Methods of Fixing Into a Soffit



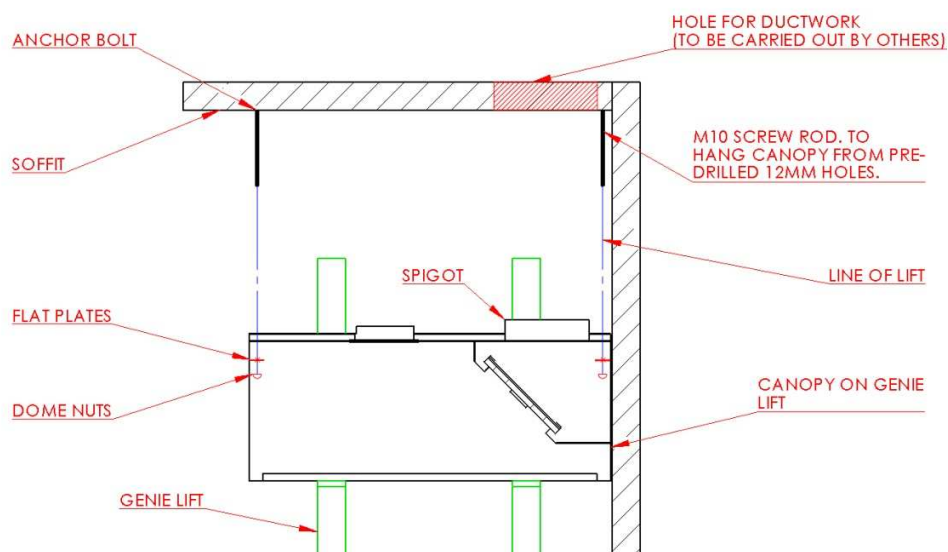
Methods of Fixing Into a Wall



Canopy Installation Procedures

- On arrival at site report to the site manager and confirm location and position of canopies.
- Asses the area in which the canopy is to be installed, ensuring any obstructions are removed.
- Prepare area for canopy assembly and check which method of fixing is to be adopted and what fixings are to be used. Ensure there are enough fixings before commencing installation.
- Position the canopy fixing points on the building structure using a plumb line.
- Create fixing points on building structure using relevant hanging brackets or anchors. (See soffit fixing methods **page 9**). Connect studding at top end to structural fixing and cut suspension rod, studding, support channels to required lengths.
- Place canopy section on hydraulic lifts and raise to the correct height. If required use wall stands to mount the canopy onto. Connect the screw rod to the fixing brackets on the canopy. Locking nuts must be used both ends.

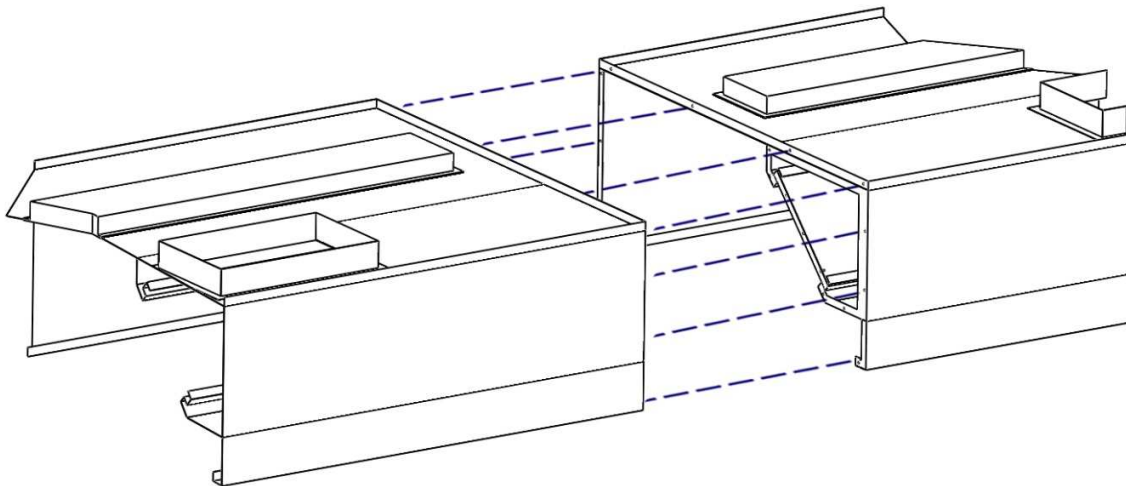
SINGLE SECTION: SIDE VIEW



- Where possible locate and fix the canopy against a structural wall using relevant screws and plugs. (Please see wall mounted fixing methods **page 10**)
- If the canopy is a single section please proceed with the following instructions below. (For canopies with multiple site joints or v-bank Island type canopies there are several extra steps that must be followed. For canopies with several sections please see **page 13**. For v-bank island canopies please see **page 14**.)
- Once the canopy is hung and securely fixed lower jacks and level the canopy.
- Peel back the protective coating on the stainless steel sheet and seal the canopy joints with silicone.
- Insert the grease filter panels.
- Once the canopy has been successfully installed complete an onsite inspection checklist provided by CK Direct.
- Locate the customer and ensure the canopy gets signed off as approved.
- Clear any waste materials created during the installation process and dispose of any rubbish in the site bins.
- Re-load tools and lifting equipment used.
- Return signed customer approval and on site check sheet to CK Direct Office.

Wall Mounted Canopy: Multiple Sections Detail

- In the case of canopies with multiple sections there are several additional installation steps that must be followed. As with a single section canopy, hang the first section following the usual fixing methods described in this manual.
- Once the first section is hung and leveled, marry up the second section and with the use of jacks raise so it is level. Once level marry up the valance flanges/filter housing/make up air plenum and ceilings and bolt together, (loosely). (Fit canopy strengthening steels to pre-drilled holes, if applicable). See image below.
- Continue this procedure until all canopy sections are hung.
- Once all sections of the canopy are hung ensure the canopy is level and all site joint profiles match. Tighten all fixings and bolts.



V-Bank Main Island Canopy Detail:

- Follow standard assembly procedure, as it is a double sided version of the standard single housing canopy.
- If required fit canopy strengthening steels to pre-drilled holes (Strengthening steel construction may vary, depending on the width of the canopy.)

Typical island canopy:

